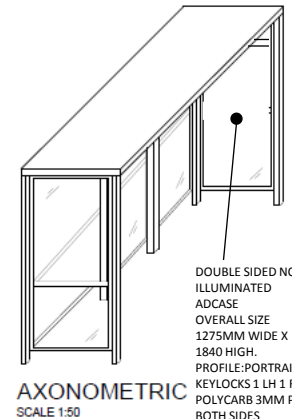
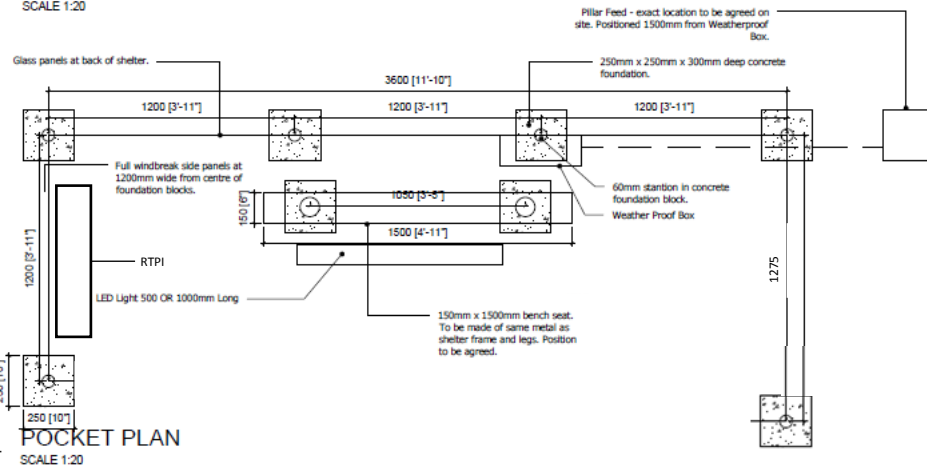
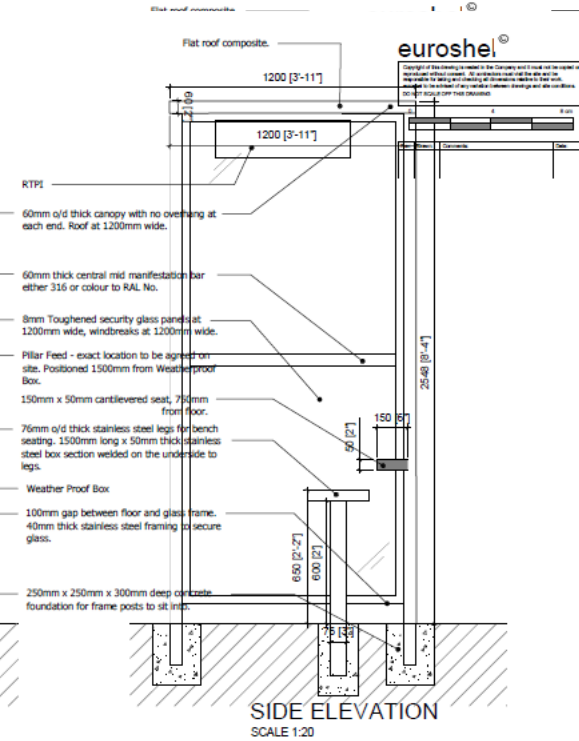
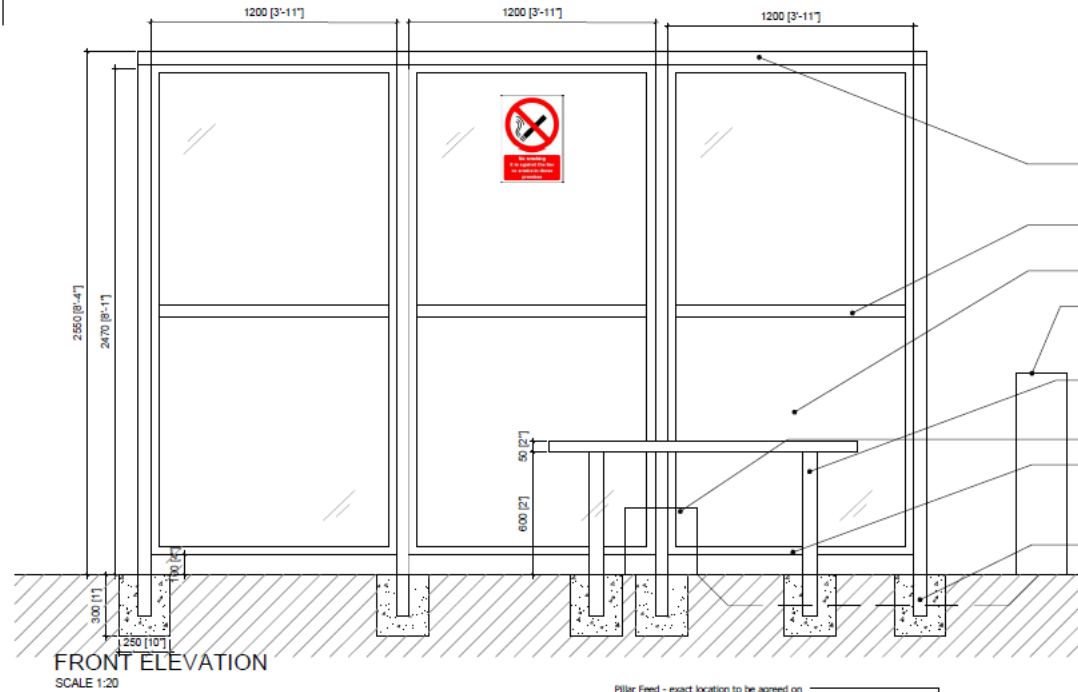


UNCONTROLLED COPY



DRAWING D URBAN METRO - 1200 or 1500mm
316 - GRADE FINISHED TO 1000 GRIT 8MM T GLASS ALLY COMPOSITE ROOF - FLAT WITH 2 DEGREE TILT
3 BAY WITH 1200MM WINDBREAKS
DECEMBER 2018
001
Scale 1:20 @ A3
Drawing No. UM004