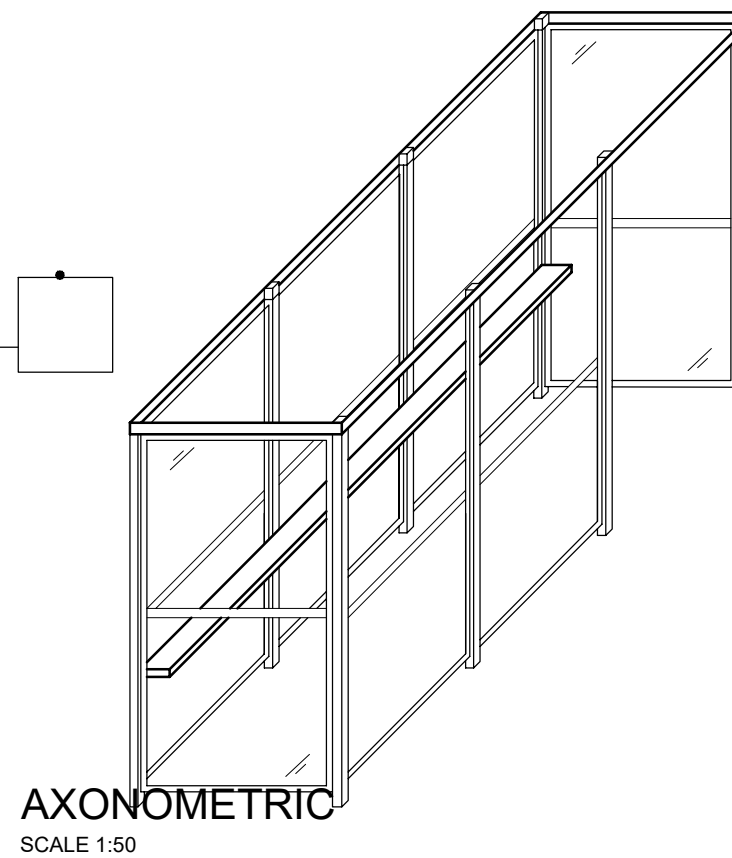
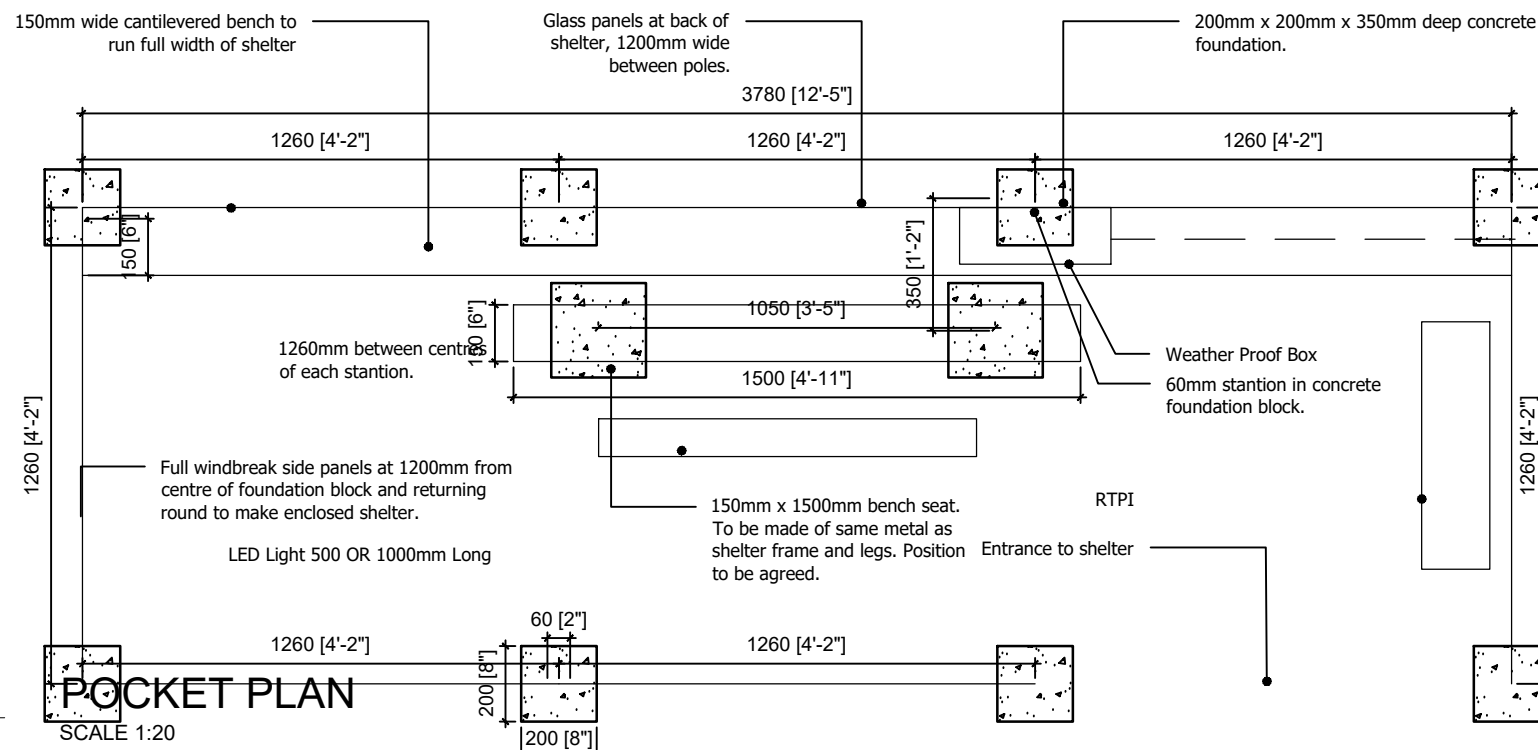


Pillar Feed - exact location to be agreed on site. Positioned 1500mm from Weatherproof Box.



**DRAWING F**

URBAN METRO - 1200 or 1500mm

316 - GRADE FINISHED TO 1000 GRIT 8MM T GLASS

ALLY COMPOSITE ROOF - FLAT WITH 2 DEGREE TILT

Title  
ENCLOSED SHELTER WITH ENTRANCE

Status

Date  
DECEMBER 2018

Scale  
1:20 @ A3

Job No.  
001

Drawing No.  
UM006

UNCONTROLLED COPY

Copyright of this drawing is vested in the Company and it must not be copied or reproduced without consent. All contractors must visit the site and be responsible for taking and checking all dimensions relative to their work. Any deviation between drawings and site conditions. DO NOT SCALE OFF THIS DRAWING

Rev:	Drawn:	Comments:	Date: